

# Cafe Series

Quality Market Umbrellas

These durable and robust aluminium umbrellas offer stylish shade and rain protection.

- Easy to open and close with rope & pulley system
- Water-repellant and UV-resistant canopies
- Lightweight anodized aluminium frames
- Moveable bases available or in-ground fitting system option
- Suitable for residential and commercial use



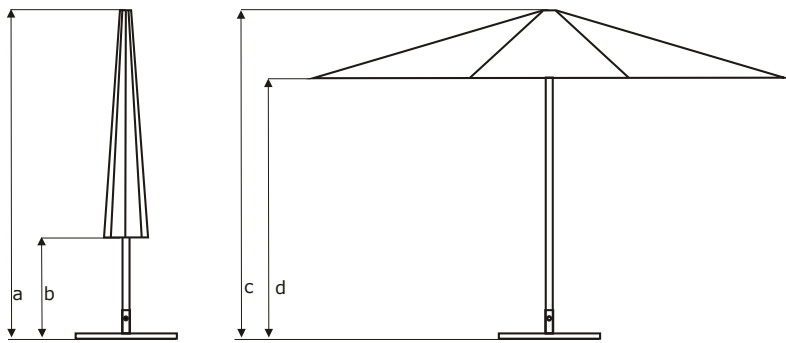
Available Nationwide

e: [Sales@paradiseshadeumbrellas.com.au](mailto:Sales@paradiseshadeumbrellas.com.au)

p: 1800 258 250

w: [www.paradiseshadeumbrellas.com.au](http://www.paradiseshadeumbrellas.com.au)





### Standard Colours



Black

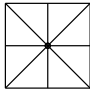
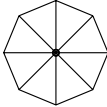
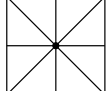
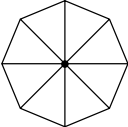


Natural



White

\*Other colours available to order, surcharge may apply

Frame Specifications				
	2m sq	2.8m oct	3m sq	4.2m oct
Post (outside diameter x thickness x length) (mm)	40 x 2.0 x 2600 Aluminium	40 x 2.0 x 2600 Aluminium	50 x 2.0 x 2900 Aluminium	50 x 2.0 x 2900 Stainless Steel
Long arms (mm)	18 x 24 x 1.2	18 x 24 x 1.2	18 x 30 x 1.2	18 x 30 x 1.2

### Dimensions of closed umbrella

Height (mm) (a)	2600	2600	2900	2900
Closed canopy clearance (mm) (b)	1000	1000	750	750

### Dimensions of open umbrella

Height (mm) (c)	2600	2600	2900	2900
Canopy edge height (mm) (d)	2050	2050	2100	2100

### Weight

Umbrella (unboxed) (kg)	6.5	9.5	14.5	16.5
-------------------------	-----	-----	------	------

### Packaging Dimensions

Total Length (inc post) (mm)	1670 x 205 x 205	1670 x 205 x 205	2960 x 230 x 230	2960 x 230 x 230
Weight (boxed umbrella) (kg)	9	13	18	21.5

\*Wind speeds are provided as a guide only. Refer to our website and Product Owner Manual provided with the umbrella for more information. The product warranty does not cover wind damage regardless of wind speed.

### Base Options



Base Plate



Base Plate & Sandbags



Grey Concrete Base



In-ground Socket & Sleeve kit



Cam-Lock Plate & Spigot

Available Nationwide

e: [Sales@paradiseshadeumbrellas.com.au](mailto:Sales@paradiseshadeumbrellas.com.au)

p: 1800 258 250

w: [www.paradiseshadeumbrellas.com.au](http://www.paradiseshadeumbrellas.com.au)

